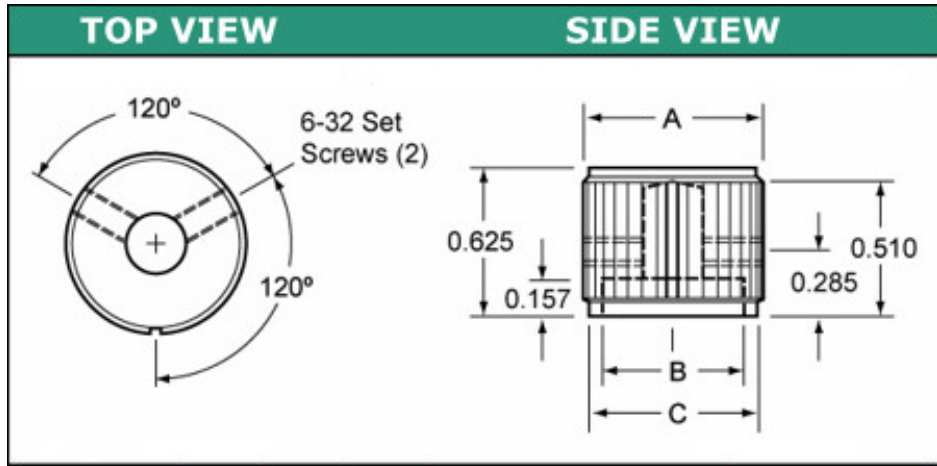




DD90 - Black Gloss, DD75 - Black Matte & Clear Gloss, DD50 - Clear Matte

**DD Series:** The "DD Series" knob is one of our most popular. The distinctive styling along with the straightforward functionality makes this knob an outstanding selection for any panel application. Saw cut indicator line on front length. Two 6-32 set screws.

Mechanical Specifications: **DD SERIES**



MODEL	A	B	C	COLOR CHOICE	SHAFT
50	.500	.375	.445	1 - CLEAR GLOSS	5 - .250
75	.750	.590	.695	2 - BLACK GLOSS	6 - .125
90	.925	.708	.882	3 - CLEAR MATTE	6mm - 6mm
				4 - BLACK MATTE	

- Home
- Dials
- Knobs
- Distributors
- Contact Us
- Specials



1952 Ironton Blvd  
 Provo, UT 84606  
 USA

TEL 801.377.5530  
 FAX 801.377.5573